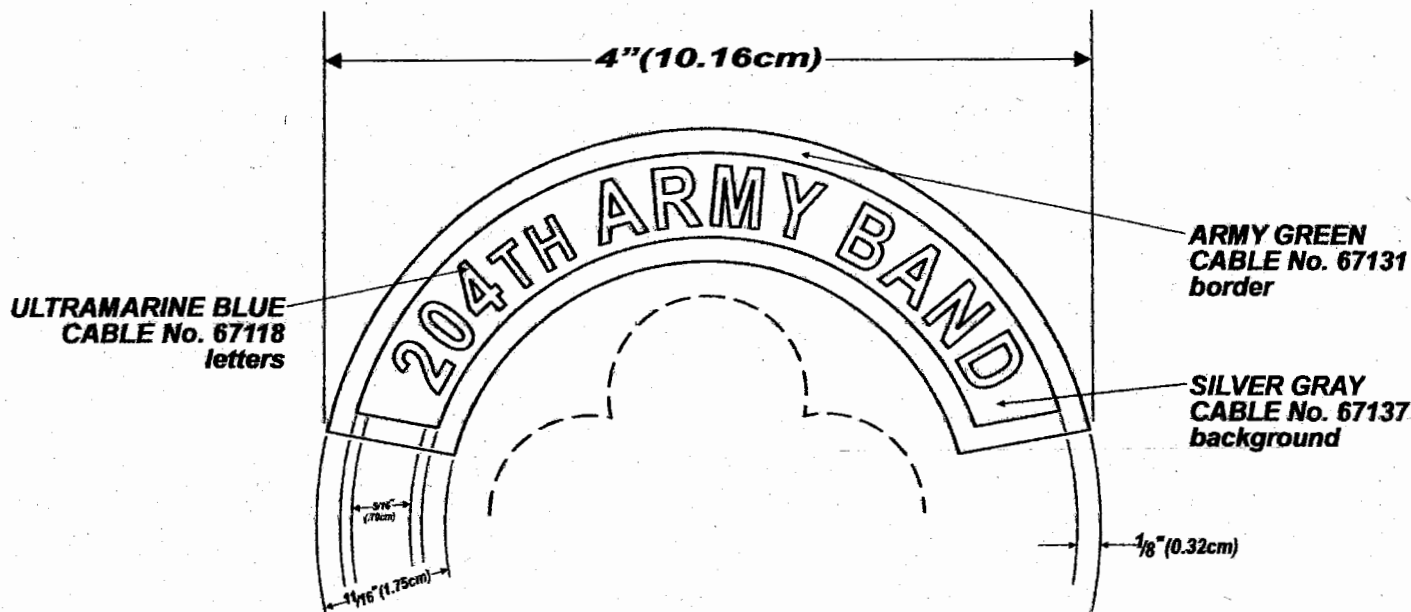


FOR SUBDUED TAB

ACU:
 DARK GREEN AND BLUE AREAS TO BE
 BLACK 67138. SILVER GRAY AREA TO BE
 FOLIAGE GREEN 67202.

REVISIONS

LTR	DESCRIPTION	DATE	APPROVED
B	STITCH COUNT ADDED.	24 MAY 2011	<i>pm SAO</i> <i>Charles V. Mugno</i> CHARLES V. MUGNO DIRECTOR



DESIGNED FOR OVEREDGE STITCHING

STITCH COUNT

3739 STITCHES (minimum)
90/2 DENIER
8/4 SPAN

UNLESS OTHERWISE SPECIFIED DIMENSIONS ARE IN INCHES TOLERANCES ON FRACTIONS DECIMALS ANGLES

THE INSTITUTE OF HERALDRY, DEPARTMENT OF THE ARMY
 9325 GUNSTON RD. S-110 FORT BELVOIR, VA 22060-5579

MATERIALS:
 TO BE MANUFACTURED IN ACCORDANCE WITH MIL-DTL-14652

EXAMINED	TLC	
CHECKED	pm	SAO
PREPARED	CA	
APPROVED	<i>Charles V. Mugno</i> CHARLES V. MUGNO DIRECTOR	

TAB
204TH ARMY BAND

SIZE	CONTROL IDENT. NO	A - 1 - 1041
A	22571	
SCALE	FULL	DATE
		5 JANUARY 2011

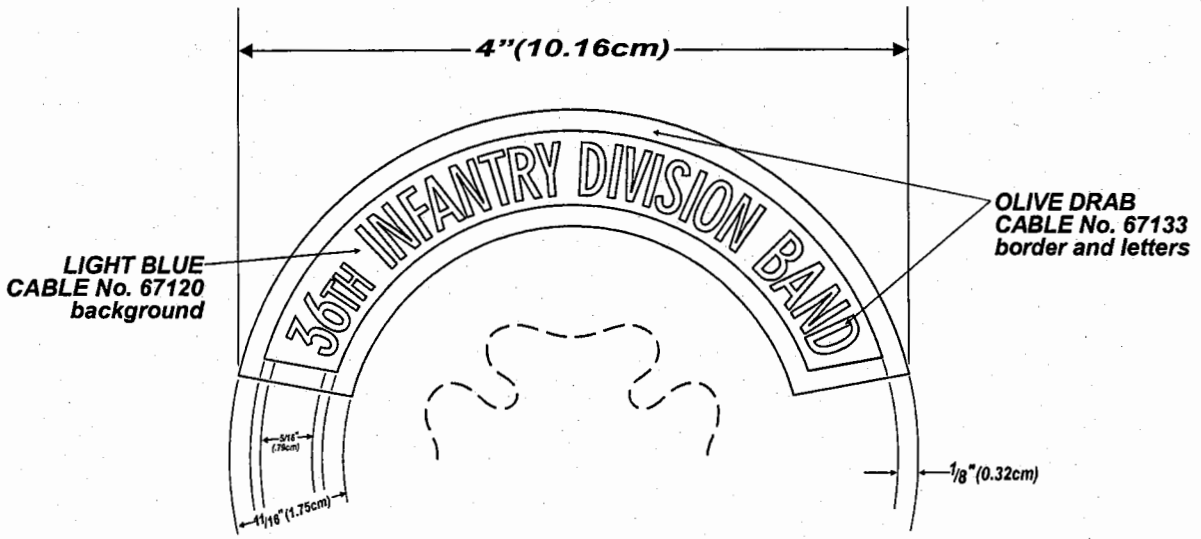
FOR SUBDUED TAB

ACU:

OLIVE DRAB AREAS TO BE BLACK 67138.
 LIGHT BLUE AREA TO BE FOLIAGE GREEN
 67202.

REVISIONS

LTR	DESCRIPTION	DATE	APPROVED
B	STITCH COUNT ADDED.	24 MAY 2011	pm SAO Charles V. Mugno DIRECTOR



DESIGNED FOR OVEREDGE STITCHING
STITCH COUNT

4073 STITCHES (minimum)
90/2 DENIER
8/4 SPAN

UNLESS OTHERWISE SPECIFIED DIMENSIONS ARE IN INCHES TOLERANCES ON FRACTIONS DECIMALS ANGLES

MATERIALS:
 TO BE MANUFACTURED IN ACCORDANCE WITH MIL-DTL-14652

EXAMINED	TLC	
CHECKED	pm	SAO
PREPARED	A	

APPROVED

 CHARLES V. MUGNO
 DIRECTOR

THE INSTITUTE OF HERALDRY, DEPARTMENT OF THE ARMY
 9325 GUNSTON RD. S-110 FORT BELVOIR, VA 22060-5579

TAB
36TH INFANTRY DIVISION
BAND

SIZE CONTROL IDENT. NO
A 22571 A - 1 - 1042

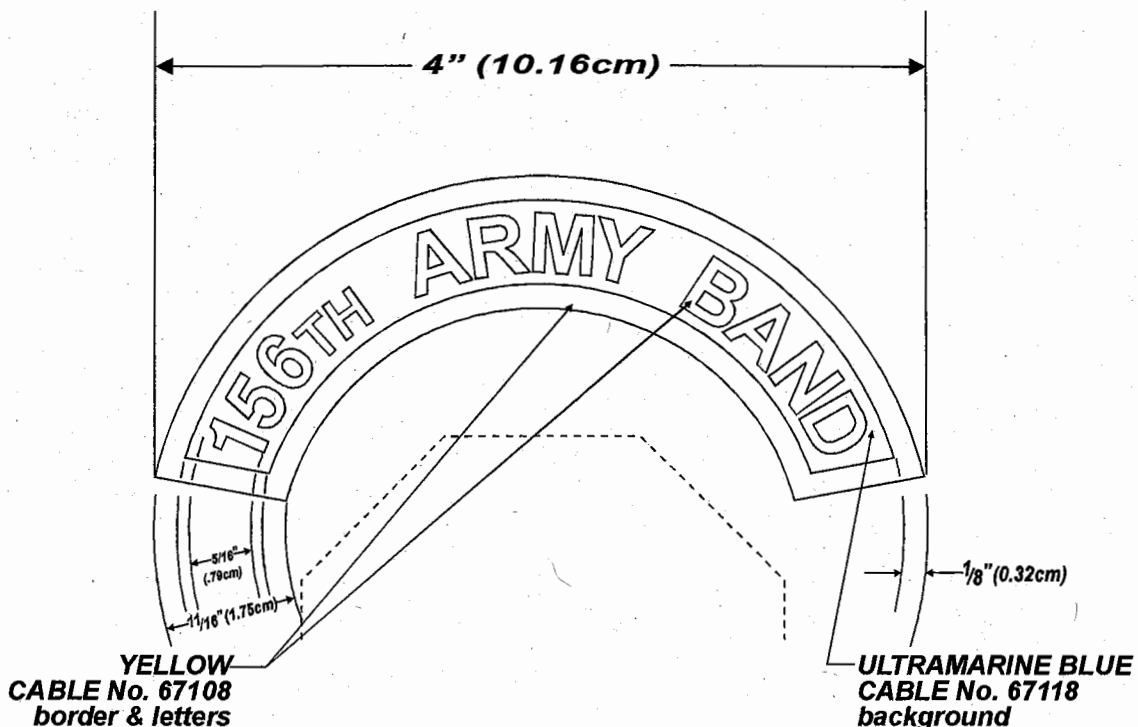
SCALE FULL DATE 12 JANUARY 2011

FOR SUBDUED TAB

ACU:
 ULTRAMARINE BLUE AREA TO BE FOLIAGE
 GREEN 67202. YELLOW AREAS TO BE BLACK
 67138.

REVISIONS

LTR	DESCRIPTION	DATE	APPROVED
B	STITCH COUNT INFORMATION ADDED.	22 FEB 2012	<i>SAO TLC</i> <i>Charles V. Mugno</i> CHARLES V. MUGNO DIRECTOR



DESIGNED FOR OVEREDGE STITCHING

STITCH COUNT

3155 STITCHES (minimum)

90/2 DENIER

12/4 SPAN

UNLESS OTHERWISE SPECIFIED DIMENSIONS ARE IN INCHES TOLERANCES ON FRACTIONS DECIMALS ANGLES

MATERIALS:
 TO BE MANUFACTURED IN ACCORDANCE WITH MIL-DTL-14652

EXAMINED	TLC	
CHECKED	pm	SAO
PREPARED	SNP	
APPROVED	<i>Charles V. Mugno</i> CHARLES V. MUGNO DIRECTOR	

THE INSTITUTE OF HERALDRY, DEPARTMENT OF THE ARMY
 9325 GUNSTON RD. S-113 FORT BELVOIR, VA 22060-5579

TAB

156TH ARMY BAND

SIZE	CONTROL IDENT. NO	
A	22571	A - 1 - 1067

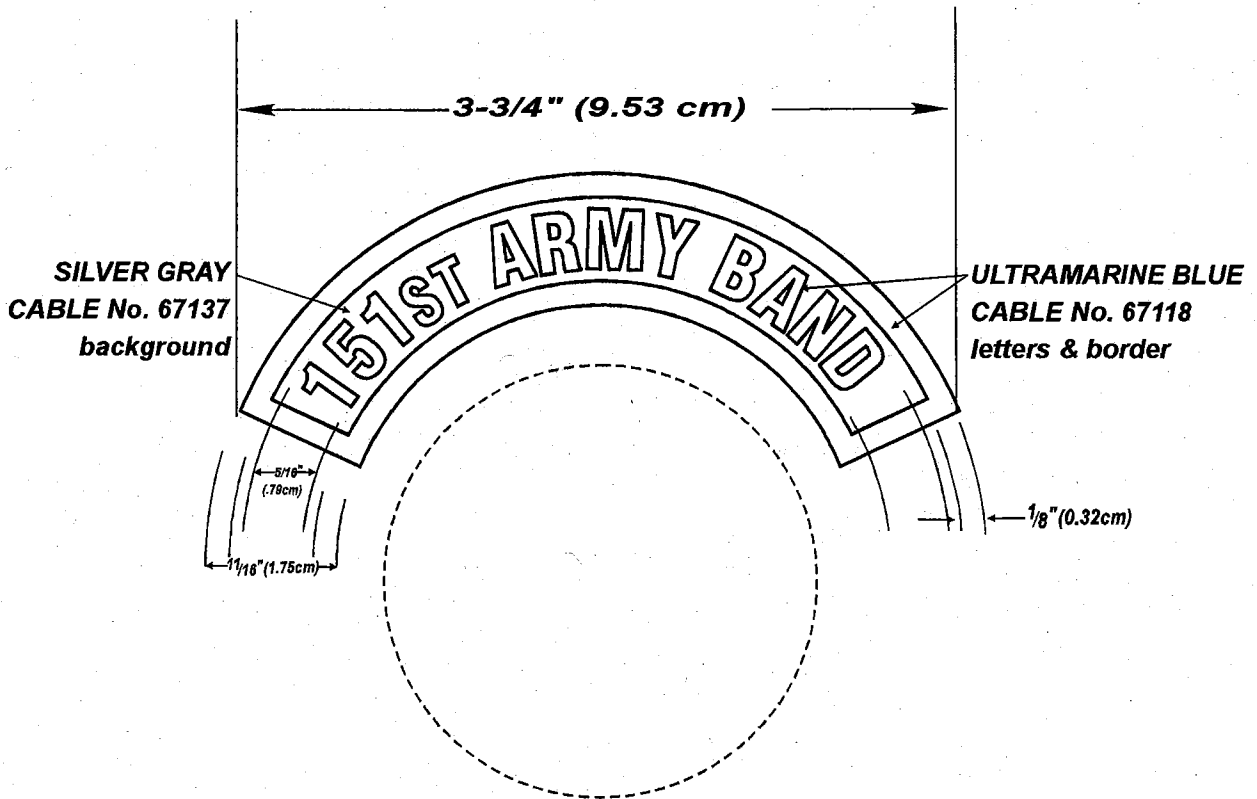
SCALE FULL DATE 29 NOVEMBER 2011

FOR SUBDUED INSIGNIA

ACU:
 SILVER GRAY AREAS TO BE FOLIAGE GREEN 67202. ULTRAMARINE BLUE AREAS TO BE BLACK 67138.

REVISIONS

LTR	DESCRIPTION	DATE	APPROVED
B	STITCH COUNT ADDED.	1 OCT 2012	<i>Charles V. Mugno</i> CHARLES V. MUGNO DIRECTOR



DESIGNED FOR OVEREDGE STITCHING

STITCH COUNT

3266 STITCHES (minimum)

90/2 DENIER

8/4 SPAN

UNLESS OTHERWISE SPECIFIED DIMENSIONS ARE IN INCHES
 TOLERANCES ON FRACTIONS DECIMALS ANGLES

MATERIALS:
 TO BE MANUFACTURED IN ACCORDANCE WITH MIL-DTL-14652

EXAMINED	SAO
CHECKED	pm
PREPARED	R

APPROVED
Charles V. Mugno
 CHARLES V. MUGNO
 DIRECTOR

THE INSTITUTE OF HERALDRY, DEPARTMENT OF THE ARMY
 9325 GUNSTON RD, RM S-113 FORT BELVOIR, VA 22060-5579

TAB

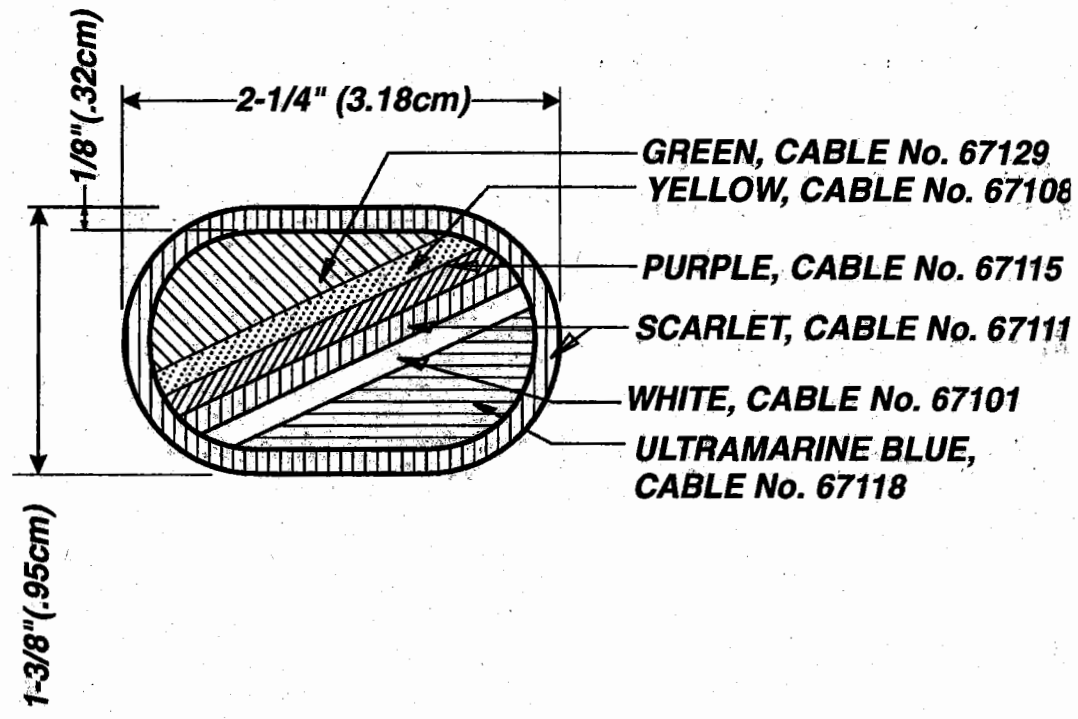
151ST ARMY BAND

SIZE	CONTROL IDENT. NO	A - 1 - 1075
A	22571	

SCALE FULL DATE 16 MAY 2012

REVISIONS

LTR	DESCRIPTION	DATE	APPROVE
-----	-------------	------	---------



DESIGNED FOR OVEREDGE STITCHING

UNLESS OTHERWISE SPECIFIED DIMENSIONS ARE IN INCHES TOLERANCES ON FRACTIONS DECIMALS ANGLES

MATERIALS: TO BE MANUFACTURED IN ACCORDANCE WITH MIL-1-14852

EXAMINED		
CHECKED	<i>WH</i>	
PREPARED	<i>RH</i>	
APPROVED		

GERALD T. LUCHINO
DIRECTOR

THE INSTITUTE OF HERALDRY, U.S. ARMY
9325 GUNSTON RD. S-112 FORT BELVOIR, VA 22060-55

**BACKGROUND TRIMMING FOR
450th CIVIL AFFAIRS BN**

SIZE	CONTROL IDENT. NO.	
A	22571	A - 6 - 184

SCALE FULL DATE 20 MARCH 1996